

freggia

Catalogo ricambi Catalogue pièces détachées Spare parts catalogue

Cucine serie:
Cuisinières série:
Cookers serie:

66 N

Modello:
Modèle:
Model:

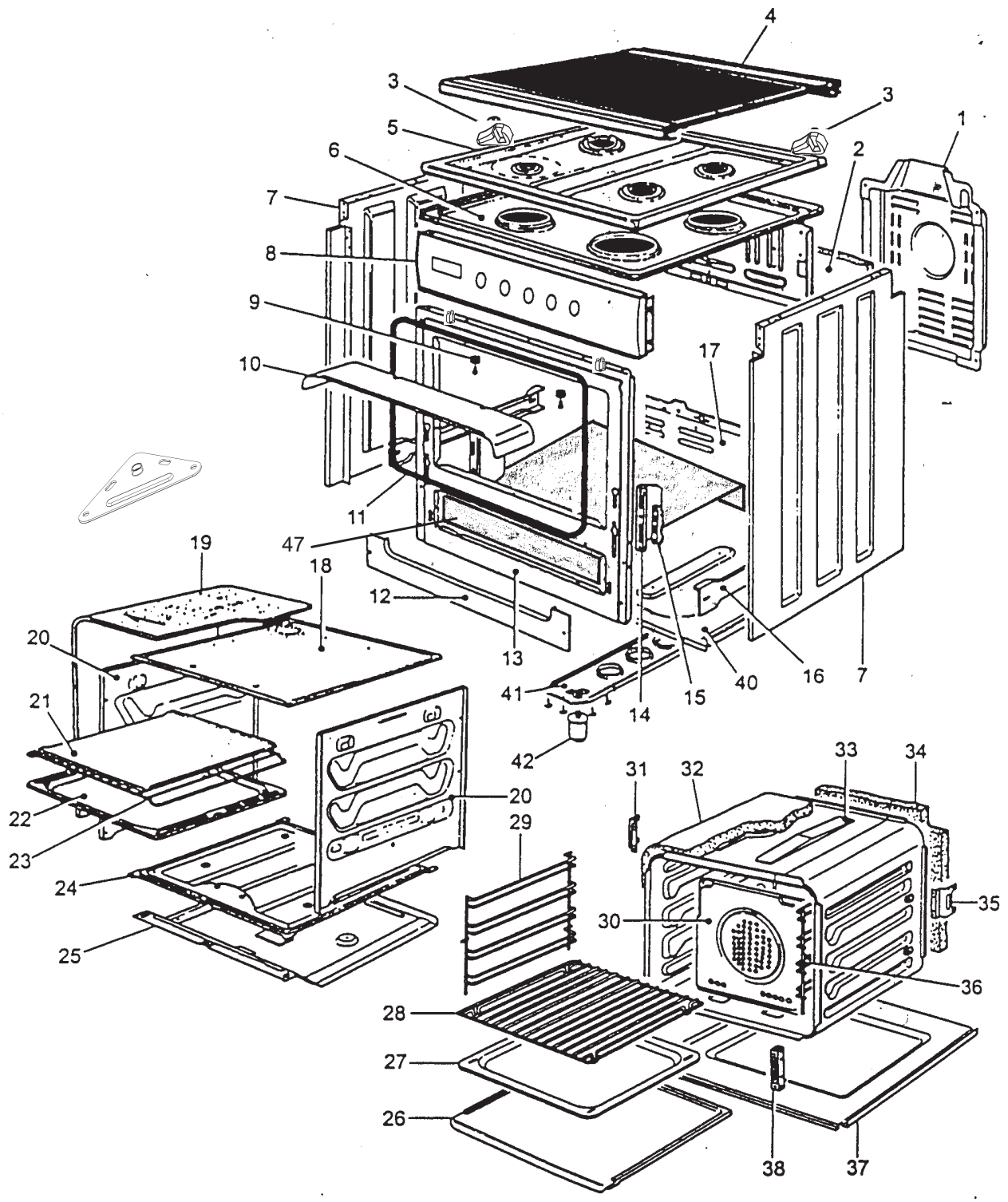
FG 633 JA/N

PM66MEE22X

1

ABITACOLO HABILLAGE COOKER BODY

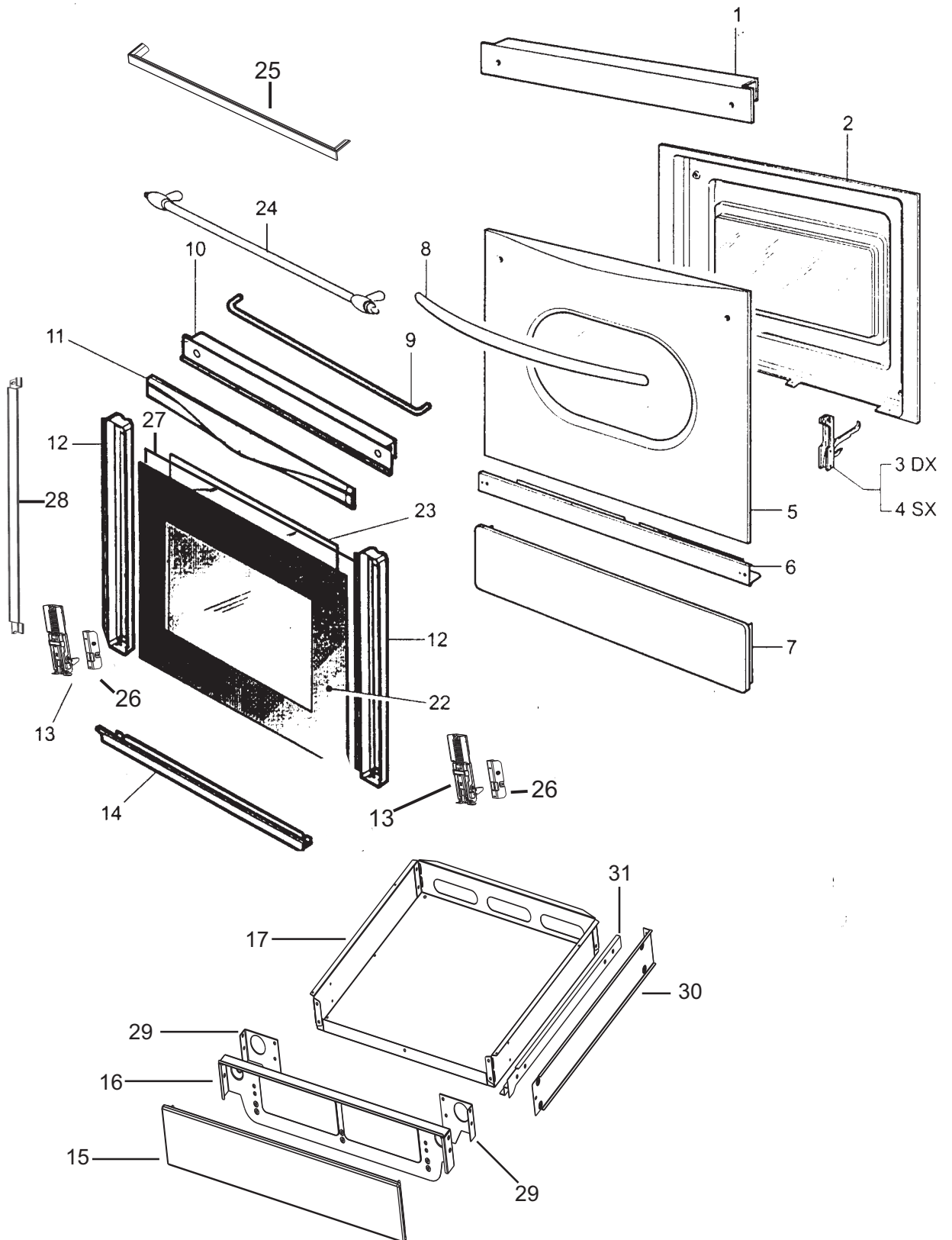
COD.505558



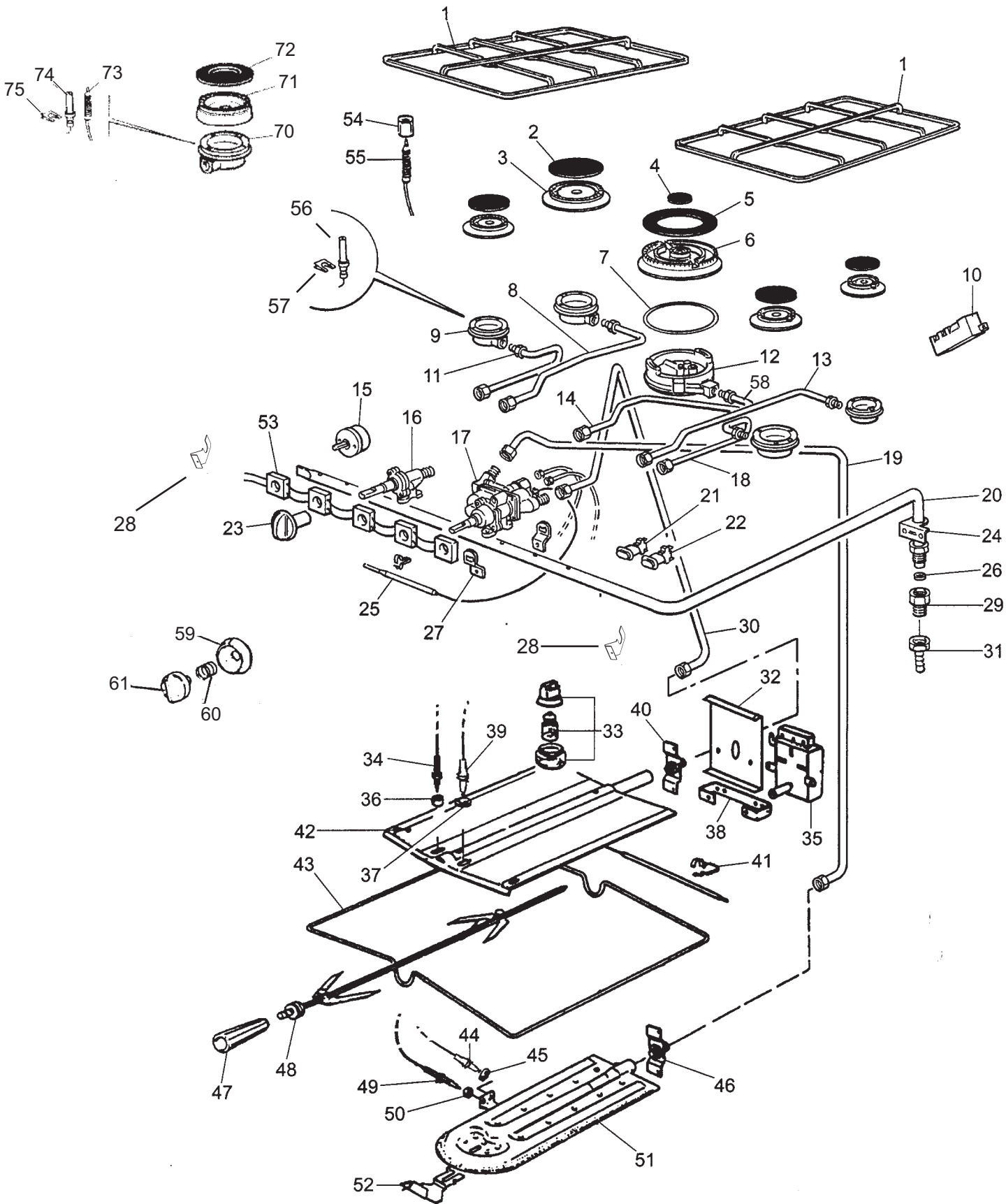
2

PORTA
PORTE
DOOR

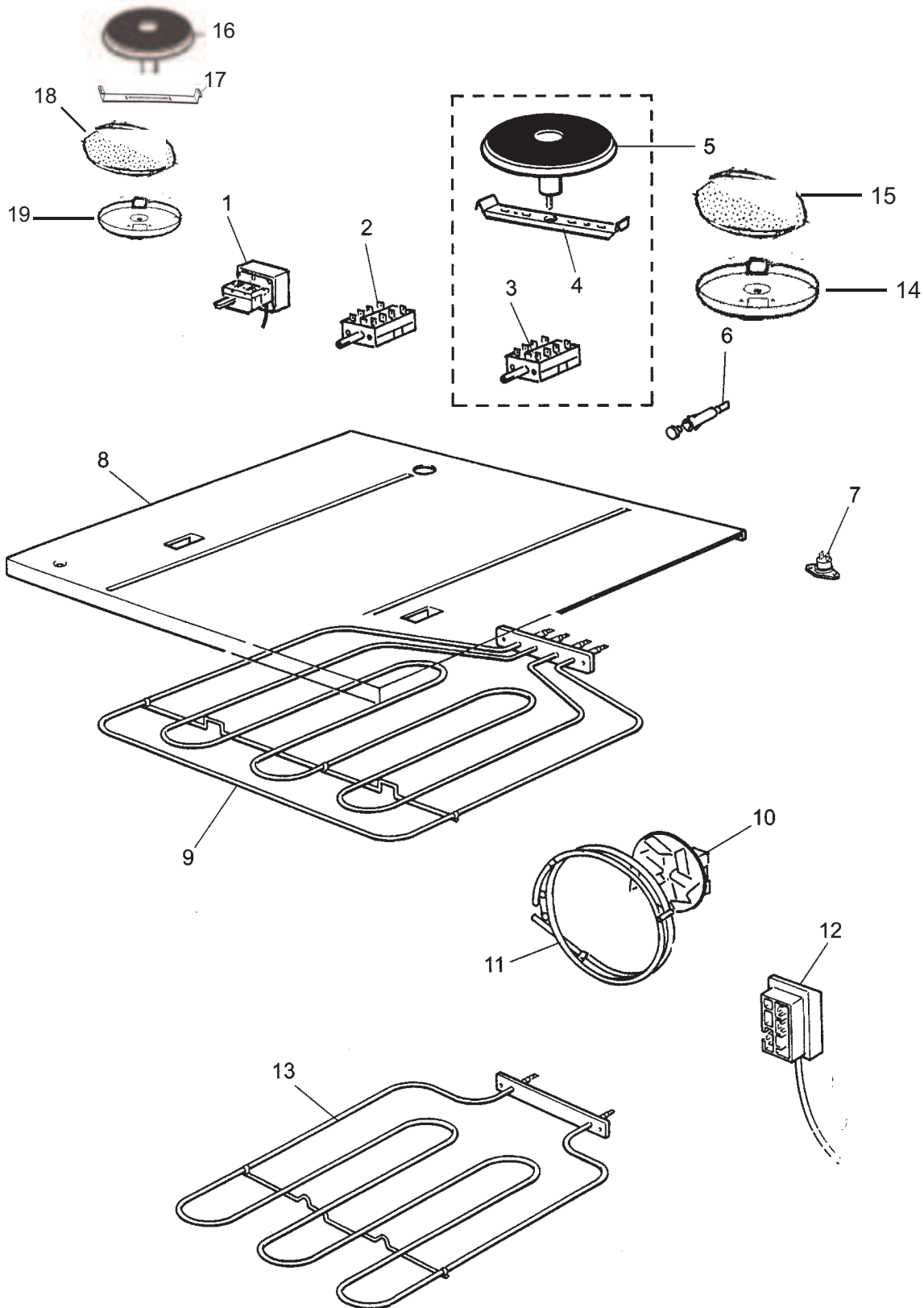
COD. 505558



EQUIPAGGIAMENTO GAS ELETTRICO
EQUIPEMENT GAZ ELECTRIQUE
GAS AND ELECTRIC EQUIPMENT



EQUIPAGGIAMENTO ELETTRICO
EQUIPEMENT ELECTRIQUE
ELECTRIC EQUIPMENT



ABITACOLO / HABILLAGE / COOKER BODY

TAV./PLANCHE/ DRAW. N. 1

Pos.	COD.	DESCRIZIONE / DESCRIPTION
01	166328	CARTER PARTIE ARRIERE PROTECTION COOKER BACK PART
03	385307	SUPPORTO CERNIERA DESTRA COPERCHIO SUPPORT CHARNIERE DROIT POUR COUVERCLE COVER RIGHT HINGE SUPPORT
03	385308	SUPPORTO CERNIERA SINISTRA COPERCHIO SUPPORT CHARNIERE GAUCHE POUR COUVERCLE COVER LEFT HINGE SUPPOR
04	993681	KIT COPERCHIO VETRO CONFECTION COUVERCLE EN VITRE GLASS COVER SET
05	176209	PIANO LAVORO TABLE DE TRAVAIL WORKING TABLE
07	16006701	FIANCO ESTERNO CUCINA COTE EXTERIUER EXTERNAL COOKER SIDE
08	621729	CRUSCOTTO BANDEAU CONTROL PANEL
11	393470	GUARNIZIONE FACCIATA 66N JOINT FAÇADE SEAL FOR FRONT PART
12	38976201	ZOCCOLO SOCLE COOKER BASE
13	60401901	FACCIATA CUCINA 66N FAÇADE CUSINIERE COOKER FRONT PART
17	167532	SCHIENA 66N COTE EXTERIEUR EXTERNAL SIDE
26	602839	FONDO FORNO SOLE DU FOUR OVEN BOTTOM
27	604226	LECCARDA FORNO 6060 NERA LECHE-FRITE DU FOUR OVEN DRIPPING PAN
28	39291001	GRIGLIA FORNO GRILLE DU FOUR OVEN GRID
29	393069	REGGIGRIGLIA DX FORNO SUPPORT GRILLE DROIT RIGHT GRID SUPPORT
29	393070	REGGIGRIGLIA SX FORNO SUPPORT GRILLE GAUCHE LEFT GRID SUPPORT
30	606525	DIFFUSORE 66N NERO DIFFUSEUR DIFFUSOR
32	386008	PANNELLO ISOLANTE FORNO PANNEAU ISOLATION POUR FOUR OVEN INSULATING PANEL
33	682964	MUFFOLA FORNO GROUPE FOUR OVEN SET

Pos.	COD.	DESCRIZIONE / DESCRIPTION
34	386028	PANNELLO ISOLANTE SCHIENA – FORNO PANNEAU ISOLATION PARTIE ARRIERE – FOUR OVEN – BACK SIDE INSULATING PANEL
42	993110	KIT 4 PIEDI + PIASTRA MONO CONFECTION PIES + PLAQUE POUR PIEDS LEGS + PLATES SUPPORT SET
47	387705	PARATIA VANO CASSETTO PROTECTION TIROIR DRAWER PROTECTION

PORTA / PORTE/ DOOR

TAV./PLANCHE/ DRAW. N. 2

Pos.	COD.	DESCRIZIONE / DESCRIPTION
10	38652002	PROFILO SUPERIORE PORTA FORNO PROFIL SUPERIEUR PORTE DU FOUR OVEN DOOR UPPER SECTION
12	608231	TRAVERSA VERTICALE PORTA FORNO PROFIL VERTICALE PORTE DU FOUR OVEN DOOR VERTICAL SECTION
13	391305	CERNIERA PORTA FORNO 60 N CHARNIERE PORTE DU FOUR OVEN DOOR HINGE
15	176644	PORTA CASSETTO PORTE CHAUFFE-PLATS CHAFING DISH DOOR
16	38002101	CONTROPORTA CASSETTO CONTRE PORTE CHAUFFE-PLATS CHAFING DISH COUNTER DOOR
17	160165	CASSETTO MAXI TIROIR DRAWER
22	687874	VETRO PORTA FORNO / PROFILO INFERIORE VITRE PORTE DU FOUR / PROFIL INFERIEUR OVEN DOOR GLASS / LOWER SECTION
23	379735	VETRO PORTA FORNO INTERNO VITRE PORTE DU FOUR INTERIEURE INNER OVEN DOOR GLASS
25	396471	MANIGLIA PORTA FORNO POIGNEE PORTE DU FOUR OVEN DOOR HANDLE
26	382000	ATTACCO CERNIERA PORTA FORNO SUPPORT CHARNIERE PORTE DU FOUR OVEN DOOR HINGE SUPPORT
27	687955	VETRO CX INTERNO VITRE PORTE DU FOUR INTERIEURE INNER OVEN DOOR GLASS
28	386847	SQUADRETTO VETRO CX PORTA FORNO PROFIL VERTICALE PORTE DU FOUR OVEN DOOR VERTICAL SECTION
29	381326	STAFFA DX CASSETTO MAXI SUPPORT DROIT TIROIR DRAWER RIGHT SUPPORT
29	381327	STAFFA SX CASSETTO MAXI SUPPORT GAUCHE TIROIR DRAWER LEFT SUPPORT
30	381328	SUPPORTO GUIDA CASSETTO SUPPORT POUR TIROIR SLIDE-WAY DRAWER SUPPORT
31	392610	KIT 2 GUIDE CASSETTO CONFECTION POUR TIROIR SLIDE-WAY DRAWER SET

Pos.	COD.	DESCRIZIONE / DESCRIPTION
01	392960	GRIGLIA PIANO LAVORO 2F AMBIDX GRILLE POUR TABLE DE TRAVAIL GRID FOR WORKING TABLE
04	389925	MICROCAPPELLO BRUCIATORE TCE MICRO CHAPEAU POUR COURONNE SMALL CAP FOR RING BURNER
10	310043	GENERATORE 6P TRENO – FILTRO 230V GENERATEUR GENERATOR
11	399261	BUNDY 66N ANTERIORE SINISTRO TUYAU BUNDY ANTERIEUR GAUCHE BUNDY TUBE FRONT LEFT BURNER
13	399259	BUNDY 66N POSTERIORE DESTRO TUYAU BUNDY POSTERIEUR DROIT BUNDY TUBE REAR RIGHT BURNER
15	31814901	TIMER STOP ELETTRICO TIMER DE FIN CUISSON COOKING END TIMER
16	398988	RUBINETTO D. 16 AUSILIARIO SABAF GN 32 ROBINET AUXILIAIRE SMALL BURNER TAP
16	398990	RUBINETTO D. 16 RAPIDO SABAF GN 45 ROBINET RAPIDE BIG BURNER TAP
18	399221	BUNDY TCE ANTERIORE DX TUYAU BUNDY COURONNE ANTERIEUR DROIT BUNDY TUBE FRONT RIGHT RING BURNER
20	687245	RAMPA D. 16 RAMPE DIAM. 16 MAIN GAS SUPPLY TUBE DIAM. 16
26	383262	GUARNIZIONE PORTAGOMMA DIRITTO 18X12X12 JOINT POUR EMBOUT DROITS HOSE CONNECTION SEAL
27	380579	BRIGLIA RUBIN.MONOVITE SABAF CRAMPON BRIDLE D4.5
28	167711	STAFFA DX CRUSCOTTO – RAMPA SUPPORT DROIT BANDEAU – RAMPE RIGHT CONTROL PANEL – MAIN GAS SUPPLY TUBE SUPPORT
28	167712	STAFFA SX CRUSCOTTO – RAMPA SUPPORT GAUCHE BANDEAU – RAMPE LEFT CONTROL PANEL – MAIN GAS SUPPLY TUBE SUPPORT
29	384700	MANICOTTO EUROPA ½ GAS MANCHON COUPLING
33	306212	PORTA LAMPADA 15W – 230-240V PORTE LAMPE LAMP HOLDER
53	313238	2 MICRO COASSIALE ALLUMAGE COAXIAL IGNITION SWITCH
59	387228	ROSONE MANOPOLE COLLERETTE POUR MANETTE RING FOR KNOB
60	224731	MOLLA MANOPOLA TELE. RESSORT POUR MANETTE KNOB SPRING

Pos.	COD.	DESCRIZIONE / DESCRIPTION
61	395484	MANOPOLA ELETTRICA TELE MANETTE ELECTRIQUE ELECTRIC KNOB
61	396276	MANOPOLA GAS TELE BRUCIATORI PIANO MANETTE GAZ BRULEURS TABLE DE TRAVAIL GAS KNOB FOR COOKTOP BURNERS
70	398683	COPPA AUSILIARIA DFND 3 GN 77 POT PORTE INSECTEUR BRULEUR AUXILIAIRE INJECTOR HOLDER FOR SMALL BURNER
70	398685	COPPA RAPIDA DFND 3 GN 123 POT PORTE INSECTEUR BRULEUR RAPIDE INJECTOR HOLDER FOR BIG BURNER
71	460616	BRUCIATORE DEFENDI 3 AUSILIARIO BRULEUR AUXILIAIRE SMALL BURNER
71	460618	BRUCIATORE DEFENDI 3 RAPIDO BRULEUR RAPIDE BIG BURNER
72	380857	CAPPELLO DEFENDI AUSILIARIO DFND 3 CHAPEAU BRULEUR AUXILIAIRE SMALL BURNER CAP
72	380858	CAPPELLO DEFENDI SEMI-RAPIDO DFND 3 CHAPEAU BRULEUR SEMI-RAPIDE MEDIUM BURNER CAP
72	380859	CAPPELLO DEFENDI RAPIDO DFND 3 CHAPEAU BRULEUR RAPIDE BIG BURNER CAP
73	39887701	TERMOCOPPIA L.600 THERMOCOUPLE THERMOCOUPLE
74	391171	CANDELA ACCENSIONE BRUCIATORI L. 800 BOUGIE D'ALLUMAGE BRULEURS IGNITION PLUG BURNERS
75	220803	CLIP TERMOCOPPIA CLIP THERMOCOUPLE THERMOCOUPLE CLIP

Pos.	COD.	DESCRIZIONE / DESCRIPTION
01	318104	TERMOSTATO THERMOSTAT THERMOSTAT
02	311042	SELETTORE O>6 POSIZIONI SELECTEUR SELECTOR
03	311072	COMMUTATORE 0>6 POSIZIONI COMMUTATEUR COMMUTATOR
04	167619	TRAVERSA PIASTRE D. 145 SUPPORT PLAQUES ELECTRIQUES ELECTRIC PLATES SUPPORT
05	316059	PIASTRAL R. D. 180 2000 W PLAQUE ELECTRIQUE D. 180 ELECTRIC PLATE D. 180
06	303157	SPIA ROSSA VOYANT ROUGE RED CONTROL LIGHT
06	303158	SPIA ARANCIO VOYANT ORANGE ORANGE CONTROL LIGHT
06	307509	SPIA NEUTRA VOYANT CONTROL LIGHT
07	311026	KLIXON 16N – 250V DISPOSITIF THERMOSTATIQUE DE SECURI THERMOSTATIC SAFETY DEVICE
08	19000201	DEFLETTORE GRILL FORNO 60N GAS DEFLECTEUR SOLE DE FOUR OVEN BOTTOM DEFLECTOR
09	317064	RESISTENZA CIELO - GRILL 1100-1500 W RESISTANCE GRILLOIR GRILL HEATING ELEMENT
10	313180	MOTOVENTOLA MOTOVENTILATEUR MOTOR FAN
12	304755	MORSETTIERA – CAVO PA309 BORNE – CABLE TERMINAL BOARD – CABLE
13	317065	RESISTENZA PLATEA 1100W 230V RESISTANCE SOLE DE FOUR OVEN BOTTOM HEATING ELEMENT
14	381078	COP. PIASTRA D. 180 COUVERCLE POUR PLAQUE COVER FOR ELECTRIC PLATE
15	386043	PANNELLO D 190 PANNEAU ISOLANT INSULATING PANEL
16	316061	PIASTRA R. D. 145 1500 W PLAQUE ELECTRIQUE D. 145 ELECTRIC PLATE D. 145
17	167618	TRAVERSA PIASTRE D. 145 SUPPORT PLAQUES ELECTRIQUES ELECTRIC PLATES SUPPORT
18	386042	PANNELLO D 157 PANNEAU ISOLANT INSULATING PANEL
19	381056	COP. PIASTRA D. 145 COUVERCLE POUR PLAQUE COVER FOR ELECTRIC PLATE

Pos.	COD.	DESCRIZIONE / DESCRIPTION
S.R. S.D. O.R.	381063	CATENA GENOVESE ZINCATA CHAINE DE ZINC ZINC PLATED CHAIN
S.R. S.D. O.R.	387673	STAFFA DX ZOCCOLO SUPPORT DROIT SOCLE COOKER BASE RIGHT SUPPORT
S.R. S.D. O.R.	387674	STAFFA SX ZOCCOLO SUPPORT GAUCHE SOCLE COOKER BASE LEFT SUPPORT
S.R. S.D. O.R.	39291101	GRIGLIA DI RIDUZIONE GRILLE REDUCTION REDUCTION GRID
S.R. S.D. O.R.	691945	KIT UGELLI G30 – 29 MBAR CONFECTION INJECTEURS NOZZLES SET

S.R.= SU RICHIESTA

S.D.= SU DEMANDE

O.R.= ON REQUEST