

freggia

Catalogo ricambi Catalogue pièces détachées Spare parts catalogue

Cucina serie:
Cuisinière série:
Cooker serie:

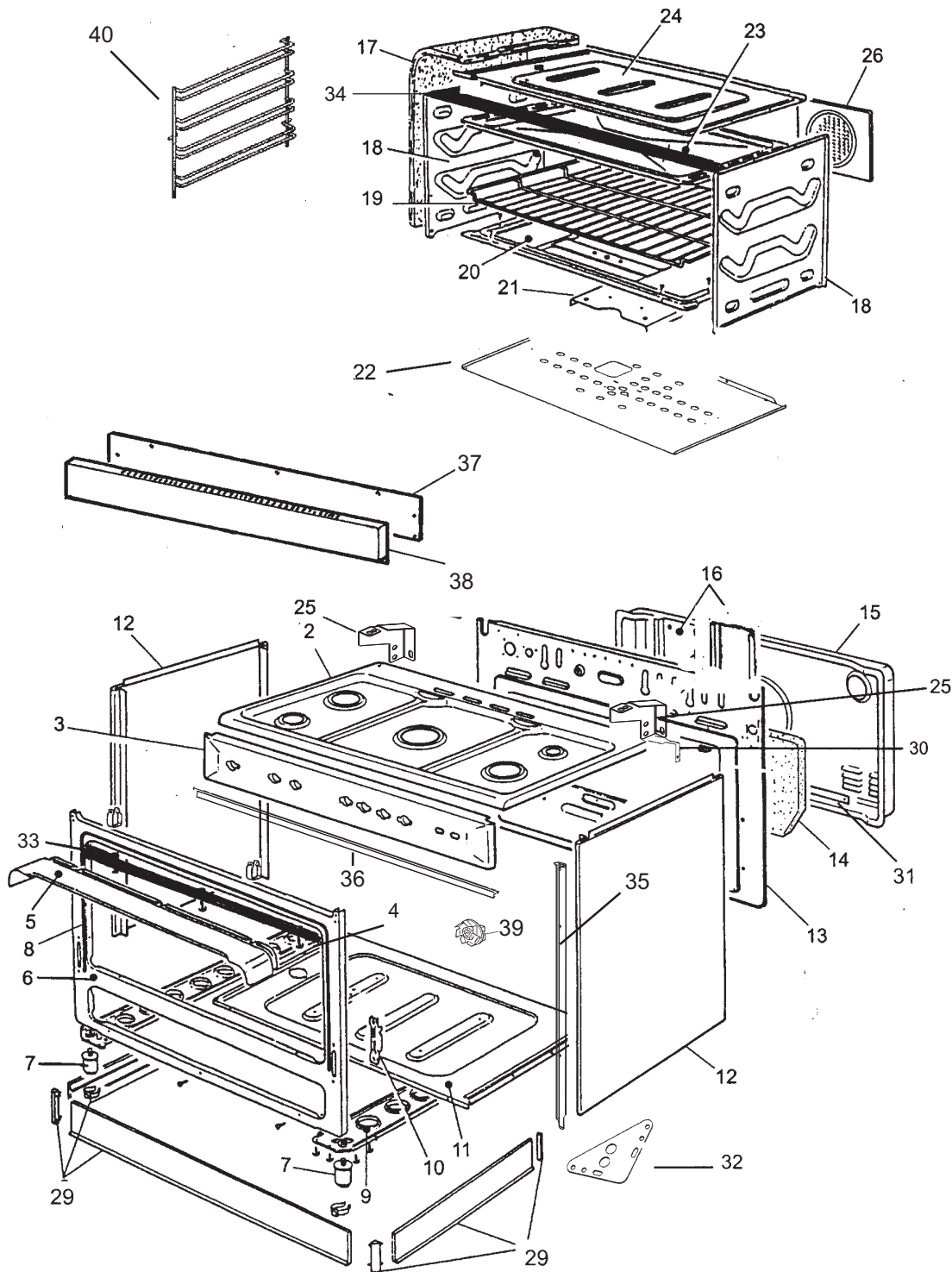
96 S

Modello:
Modèle:
Model:

FG 693 DA/N

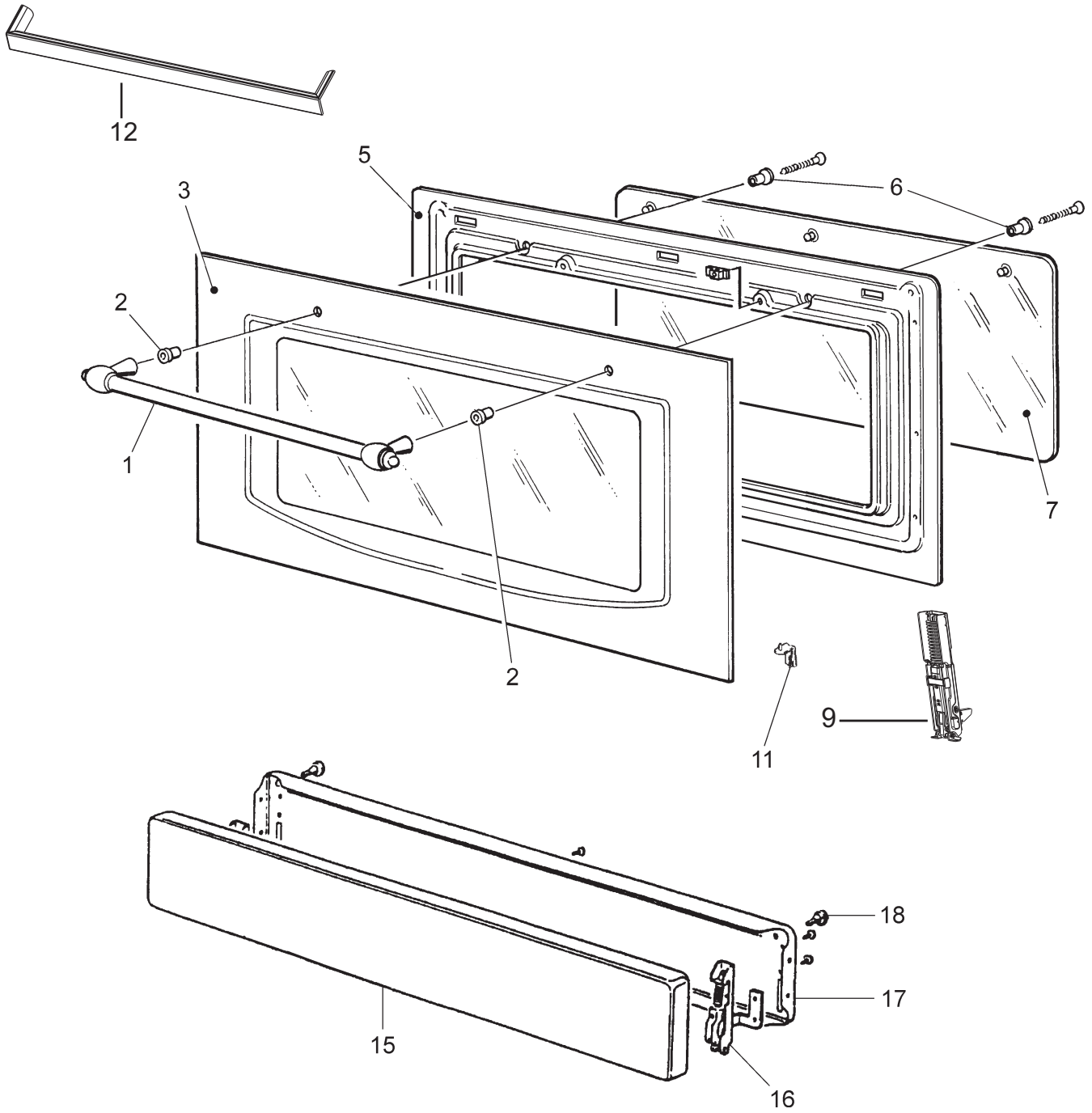
PP96GGG50X

ABITACOLO
HABILLAGE
COOKER BODY

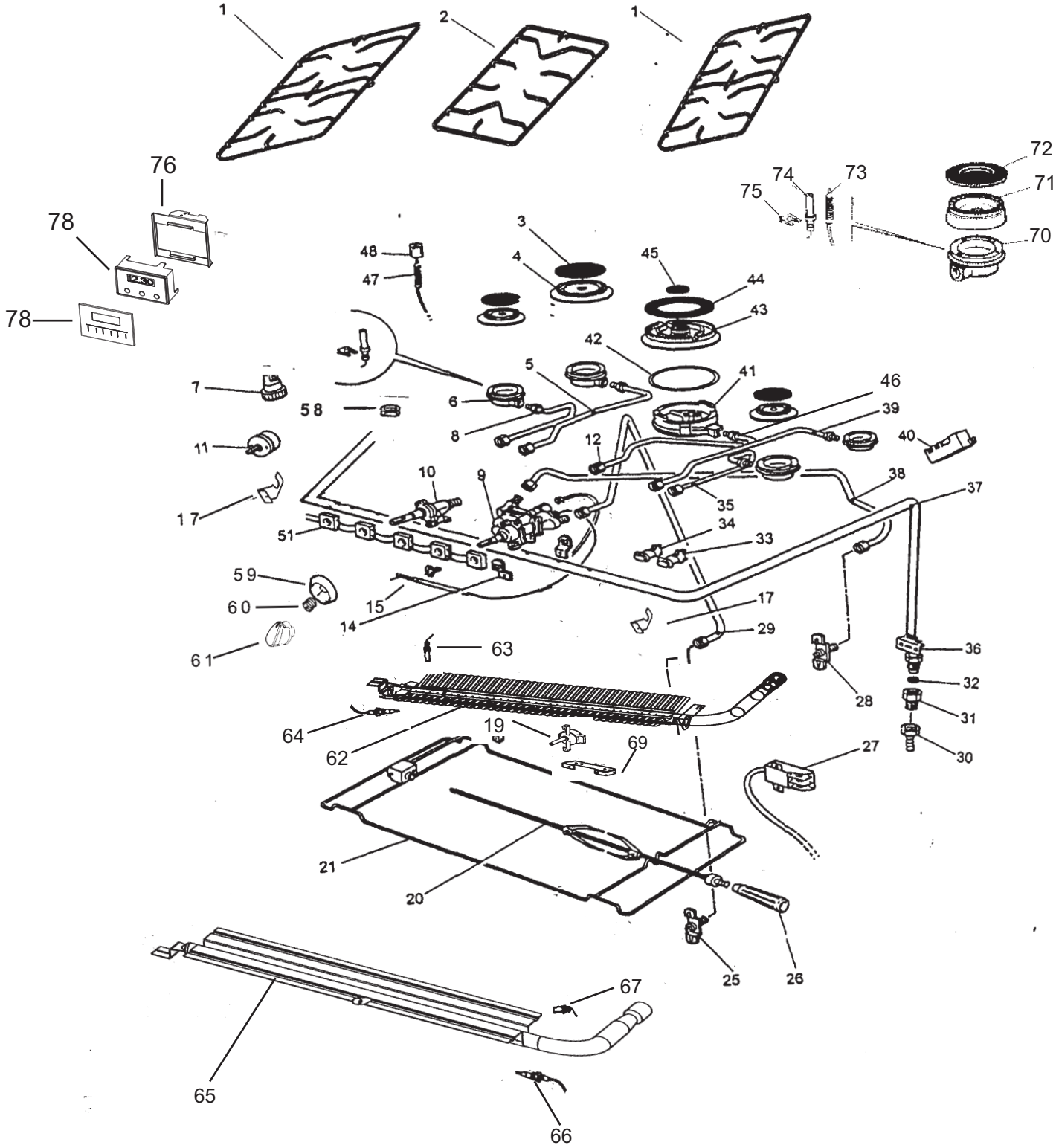


2

PORTA
PORTE
DOOR



EQUIPAGGIAMENTO GAS ELETTRICO
EQUIPEMENT GAZ ELECTRIQUE
GAS AND ELECTRIC EQUIPMENT



Pos.	COD.	DESCRIZIONE / DESCRIPTION
02	38689801	PIANO LAVORO TABLE DE TRAVAIL WORKING TABLE
03	621732	CRUSCOTTO 96N BANDEAU CONTROL PANEL
06	60401001	FACCIATA CUCINA FAÇADE CUISINIÈRE COOKER FRONT SIDE
07	391624	4 PIEDINI H 160>105 PIEDS REGLABES LEGS
08	392619	GUARNIZIONE FACCIATA JOINT FAÇADE SEAL FOR FRONT PART
09	16612502	PIASTRA PER PIEDINI PLAQUE POUR PIEDS LEGS SUPPORTING PLATE
10	382000	ATTACCO CERNIERE PORTA FORNO SUPPORT CHARNIERE PORTE DU FOUR OVEN DOOR HINGE SUPPORT
11	16256802	FONDO SCALDAPIAZZI SOLE CHAUFFE PLATE CHAFING DISH BOTTOM
12	38038001	FIANCO CUCINA 96N COTE CUISINIÈRE COOKER SIDE
13	607663	SCHIENA CUCINA COTE EXTERIEUR EXTERNAL SIDE
14	385935	PANNELLO ISOLANTE SCHIENALE PROTECTEUR VENTILATEUR FAN PROTECTION PANEL
15	166341	CARTER 96N FORNO PROTECTION PARTIE ARRIERE BACK SIDE PROTECTION
16	680563	CONDOTTO FUMI CHEMINÉE CHIMNEY
17	386007	PANNELLO ISOLANTE FORNO PANNEAU ISOLANT DU FOUR OVEN INSULATING PANEL
18	602696	FIANCO FORNO DX COTE DU FOUR DROIT RIGHT OVEN SIDE
18	602697	FIANCO FORNO SX COTE DU FOUR GAUCHE LEFT OVEN SIDE
19	392952	GRIGLIA FORNO GRILLE FOUR OVEN GRID
20	69264401	FONDO FORNO 96N NERO SOLE DU FOUR OVEN BOTTOM

Pos.	COD.	DESCRIZIONE / DESCRIPTION
21	16162701	DEFLETTORE FONDO FORNO DEFLECTEUR SOLE DU FOUR OVEN BOTTOM DEFLECTOR
22	16770401	SUPPORTO BRUCIATORE FORNO 96N SUPPORT BRULEUR DU FOUR OVEN BURNER SUPPORT
23	604233	LECCARDA FORNO LECHE-FRITE DU FOUR OVEN DRIPPING PAN
24	60119002	CIELO FORNO 96N CIEL DU FOUR OVEN SKY
25	380326	STAFFA DX POSTERIORE PIANO LAVORO/ALZATINA SUPPORT POSTERIEUR DROIT TABLE DE TRAVAIL/REBOUD ARRIERE RIGHT CONTROL WORKING TABLE/SPLASH BOARD
25	380327	STAFFA SX POSTERIORE PIANO LAVORO/ALZATINA SUPPORT GAUCHE POSTERIEUR TABLE DE TRAVAIL/REBOUD ARRIERE LEFT CONTROL REAR WORKING TABLE/SPLASH BOARD
26	607404	DIFFUSORE DIFFUSEUR DIFFUSOR
31	16811402	STAFFA PANNELLO SCHIENA ENTRETOISE CROSS BAR
32	16616002	PIASTRA MONO PIEDINI PLAQUE POUR PIEDS LEGS SUPPORTING PLATE
33	608600	TEGOLINO GRILL CLOISON GRILLOIR BULKHEADFOR GRILL
34	386751	TEGOLINO INT.GRILL P.CHIUSA CLOISON GRILLOIR BULKHEAD FOR GRILL
35	387884	TRAVERSA DX RINFORZO FIANCO SUPPORT DROIT COTE CUISINIERE COOKER SIDE RIGHT SUPPORT
35	387885	TRAVERSA SX RINFORZO FIANCO SUPPORT GAUCHE COTE CUISINIERE COOKER SIDE LEFT SUPPORT
36	692724	GRUPPO TEGOLINO FACCIATA CLOISON FAÇADE CUISINIERE BULKHEAD COOKER FRONT SIDE
37	387905	CARTER ALZATINA PARTIE POSTERIEURE REBOUD ARRIERE BACK SIDE SPLASH BOARD
38	38028201	ALZATINA REBOUD ARRIERE SPLASH BOARD
39	313230	MOTOVENTOLA MOTEURVENTILATOR FAN MOTOR
40	393075	REGGIGRIGLIA DX FORNO SUPPORT GRILLE DROIT RIGHT GRID SUPPORT

Pos.	COD.	DESCRIZIONE / DESCRIPTION
40	393076	REGGIGRIGLIA SX FORNO SUPPORT GRILLE GAUCHE LEFT GRID SUPPORT

Pos.	COD.	DESCRIZIONE / DESCRIPTION
02	38170802	DISTANZIALE MANIGLIA PORTA FORNO ENTRETOISE POIGNEE PORTE DU FOUR OVEN DOOR HANDLE SPACER
03	687971	VETRO PORTA FORNO / PROFILO INFERIORE VITRE PORTE DU FOUR / PROFIL INFERIEUR OVEN DOOR GLASS / LOWER SECTION
05	60400201	CONTROPORTA FORNO CONTREPORTE DU FOUR OVEN COUNTER DOOR
07	687978	VETRO INTERNO PERNO / CONTROPORTA VITRE INTERIEURE PORTA DE FOUR / CONTRE PORTE DU FOUR OVEN DOOR INNER GLASS / OVEN COUNTER DOOR
09	391300	CERNIERA PORTA FORNO CHARNIERE PORTE DU FOUR OVEN DOOR HINGE
12	39588102	MANIGLIA PORTA FORNO POIGNEE PORTE DU FOUR OVEN DOOR HANDLE
15	176646	RIBALTINA – PORTINA SCALDAPIATTI COMPARTIMENT A ABATTANT COVER FOR CHAFING DISH
16	391311	CERNIERA DESTRA – MOLLA PORTINA SCALDAPIATTI CHARNIERE DROITE CHAUFFE-PLATS CHAFING DISH DOOR RIGHT HINGE
16	391312	CERNIERA SINISTRA – MOLLA PORTINA SCALDAPIATTI CHARNIERE GAUCHE CHAUFFE-PLATS CHAFING DISH DOOR LEFT HINGE
17	16149501	CONTROPORTA SCALDAPIATTI CONTRE PORTE CHAUFFE-PLATS CHAFING DISH COUNTER DOOR
18	383205	GOMMINO FUNGO NERO BUTEE CAOUTCHOUC PORTE-BOUTEILLE RUBBER PIECE

EQUIPAGGIAMENTO GAS ELETTRICO / EQUIPEMENT GAZ ELECTRIQUE /
GAS AND ELECTRIC EQUIPMENT

DISEGNO/PLANCHE/ DRAW. N. 3

Pos.	COD.	DESCRIZIONE / DESCRIPTION
01	640704	GRIGLIA 2 FUOCHI PIANO LAVORO AMBIDX GRILLE DEUX FEUX TABLE DE TRAVAIL GRID WORKING TABLE
02	640705	GRIGLIA PIANO LAVORO CX GRILLE TABLE DE TRAVAIL GRID WORKING TABLE
05	399274	BUNDY POSTERIORE SINISTRO TUYAU BUNDY POSTERIEUR GAUCHE BUNDY TUBE REAR LEFT BURNER
07	306212	PORTA LAMPADA PORTE LAMPE LAMP HOLDER
08	399272	BUNDY ANTERIORE SINISTRO TUYAU BUNDY ANTERIEUR GAUCHE BUNDY TUBE FRONT LEFT BURNER
09	399084	TERMOSTATO 2 VIA + 1 MICRO + AC GN 54 THERMOSTAT THERMOSTAT
10	398988	RUBINETTO AUSILIARIO GN 32 ROBINET BRULEUR AUXILIAIRE SMALL BURNER TAP
10	398989	RUBINETTO SEMIRAPIDO GN 35 ROBINET BRULEUR SEMIRAPIDE BIG MEDIUM BURNER TAP
10	398990	RUBINETTO RAPIDO GN 45 ROBINET BRULEUR RAPIDE BIG BURNER TAP
10	398991	RUBINETTO TRIPLA CX GN 70 ROBINET BRUELUR COURONNE RING BURNER TAP
14	380569	BRIGLIA RUBIN-TERMO MONOVITE (CPRC) CRAMPON BRIDLE
14	380579	BRIGLIA RUBIN-TERMO SABAF CRAMPON BRIDLE
19	313202	MOTORINO 5W MOTEUR DU TOURNEBROCHE ROASTER MOTOR
20	398063	KIT SPIEDO + IMPUGNATURA CONFECTION BROCHE + POIGNEE ROASTER SPIT HANDLE SET
21	39826201	TELAIO SPIEDO CADRE SUPPORT BROCHE SPIT SUPPORT FRAME
25	698259	SUPPORTO UGELLO D.1,40 FORNO SUPPORT INJECTEUR NOZZLES SUPPORT
27	304754	MORSETTIERA - CAVO BORNE - CABLE TERMINAL BOARD - CABLE

Pos.	COD.	DESCRIZIONE / DESCRIPTION
28	698260	SUPPORTO UGELLO D.1,20 GRILL SUPPORT INJECTEUR NOZZLES SUPPORT
29	398976	BUNDY TERMOSTATO FORNO MER TUYAU BUNDY POUR THERMOSTAT DU FOUR BUNDY TUBE FOR OVEN THERMOSTAT
31	384700	MANICOTTO EUROPA MANCHON COUPLING
32	383262	GUARNIZIONE PORTAGOMMA DIRITTO JOINT POUR EMBOUTS DROITS HOSE CONNECTION SEAL
33	313801	FRUTTO INTERUTTORE L-M INTERRUPTEUR SWITCH
33	313855	PULSANTE OVALE INTERRUPTEUR ECLAIRACIE FOUR - TOURNEBROCHE SWITCH FOR OVEN LIGHT - ROASTER
33	313858	CORNICE PULSANTE OVALE CADRE BOUTON SWITCH FRAME
35	399271	BUNDY ANTERIORE DESTRO TUYAU BUNDY ANTERIEUR DROIT BUNDY TUBE FRONT RIGHT BURNER
37	68718501	RAMPA STAFFA D. 16 RAMPE DIAM. 16 MAIN GAS SUPPLY TUBE DIAM. 16
38	398951	BUNDY TERMO GRILL TUYAU BUNDY THERMOSTAT GRILLOIR BUNDY TUBE THERMOSTAT GRILL
39	399273	BUNDY POSTERIORE DESTRO TUYAU BUNDY POSTERIEUR DROIT BUNDY TUBE REAR RIGHT BURNER
40	31005001	GENERATORE 8P TRENO GENERATEUR GENERATOR
41	39994201	COPPA TRIPLA CORONA ECON. GN 145 POT PORTE INJECTEUR POUR BRULEUR COURONNE INJECTOR HOLDER FOR RING BURNER
42	383256	GUARNIZIONE BRUCIATORE TRIPLO CORONA JOINT BRULEUR COURONNE RING BURNER GASKET
43	460612	BRUCIATORE TRIPLO CORONA DFND 3 BRULEUR COURONNE RING BURNER
44	389924	ANELLO TRIPLO CORONA ECON. CHAPEAU BRULEUR CIRCULAIRE POUR COURONNE RING CAP FOR RING BURNER
45	389925	MICRO CAPPELLO TRIPLO CORONA ECON. MICRO CHAPEAU POUR COURONNE SMALL CAP FOR RING BURNER
46	399376	BUNDY CX TCE TUYAU BUNDY COURONNE BUNDY TUBE RING BURNER

Pos.	COD.	DESCRIZIONE / DESCRIPTION
51	31318601	5 MICRO COASIALE ALLUMAGE COAXIALE IGNITION SWITCH
59	387284	ROSONE MANOPOLE COLLERETTE POUR MANETTE RING FOR KNOB
60	224769	MOLLA MANOPOLA RESSORT POUR MANETTE KNOBS SPRING
61	396549	MANOPOLA GAS MANETTE GAZ GAS KNOB
61	39599701	MANOPOLA GAS BRUCIATORI PIANO MANETTE GAZ BRULEURS TABLE DE TRAVAIL GAS KNOB FOR COOKTOP BURNERS
62	39041103	BRUCIATORE GRILL +VALVOLA+CANDELA 2.5KW BRULEUR GRILLOIR GRILL BURNER
65	39041003	BRUCIATORE FORNO+VALVOLA+CANDELA 3.7KW BRULEUR FOUR OVEN BURNER
69	167752	SUPPORTO MOTORINO (O-M) SUPPORT MOTEUR DU TOURNEBROCHE ROASTER MOTOR SUPPORT
70	398683	COPPA BRUCIATORE AUSILIARIO GN 77 POT PORTE INJECTEUR POUR BRULEUR AUXILIAIRE INJECTOR HOLDER FOR SMALL BURNER
70	398684	COPPA BRUCIATORE SEMI-RAPIDO GN 97 POT PORTE INJECTEUR POUR BRULEUR SEMI-RAPIDE INJECTOR HOLDER FOR MEDIUM BURNER
70	398685	COPPA BRUCIATORE RAPIDO GN 123 POT PORTE INJECTEUR POUR BRULEUR RAPIDE INJECTOR HOLDER FOR BIG BURNER
71	460616	BRUCIATORE AUSILIARIO DFND 3 BRULEUR AUXILIAIRE SMALL BURNER
71	460617	BRUCIATORE SEMI-RAPIDO DFND 3 BRULEUR SEMI-RAPIDE MEDIUM BURNER
71	460618	BRUCIATORE RAPIDO DFND 3 BRULEUR RAPIDE BIG BURNER
72	380857	CAPPELLO BRUCIATORE AUSILIARIO DFND 3 CHAPEAU BRULEUR AUXILIAIRE SMALL BURNER CAP
72	380858	CAPPELLO BRUCIATORE SEMI-RAPIDO DFND 3 CHAPEAU BRULEUR SEMI-RAPIDE MEDIUM BURNER CAP
72	380859	CAPPELLO BRUCIATORE RAPIDO DFND 3 CHAPEAU BRULEUR RAPIDE BIG BURNER CAP
73	39887701	TERMOCOPPIA L 550 THERMOCOUPLE THERMOCOUPLE

Pos.	COD.	DESCRIZIONE / DESCRIPTION
73	399059	TERMOCOPPIA BRUCIATORE TCE THERMOCOUPLE BRULEUR COURONNE THERMOCOUPLE RING BURNER
74	391171	CANDELA BRUCIATORI L 800 BOUGIE ALLUMAGE BRULEURS IGNITION PLUG BURNERS
74	391196	CANDELA BRUCIATORE TCE BOUGIE ALLUMAGE BRULEUR COURONNE IGNITION PLUG RING BURNER
75	220803	CLIP CANDELA CLIP BOUGIE ALLUMAGE IGNITION PLUG CLIP
76	387763	SUPPORTO TIMER TOUCH SUPPORT TIMER TIMER SUPPORT
77	318212	TIMER TOUCH 3 P TIMER ELECTRONIC ELECTRONIC TIMER
78	37971601	VETRINO TIMER TOUCH VITRE TIMER GLASS TIMER
S.R. S.D. O.R.	220804	CLIP PERNO ZOCC N°3 CLIP CLIP
S.R. S.D. O.R.	387659	SUPPORTO DX CRUSCOTTO SUPPORT DROIT BANDEAU CONTROL PANEL RIGHT SUPPORT
S.R. S.D. O.R.	387660	SUPPORTO SX CRUSCOTTO SUPPORT GAUCHE BANDEAU CONTROL PANEL LEFT SUPPORT
S.R. S.D. O.R.	39291101	GRIGLIA DI RIDUZIONE GRILLE REDUCTION REDUCTION GRID

S.R.=SU RICHIESTA
S.D.=SUR DEMANDE
O.R.=ON REQUEST