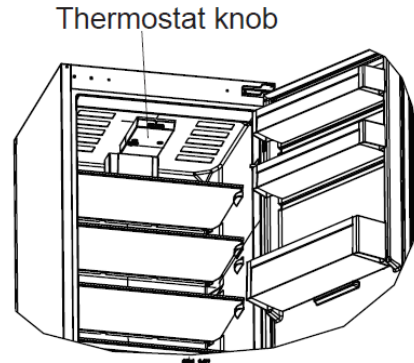


## Thermostat Setting

It ensures that the temperature settings in the cooling and freezing compartments of your refrigerator are performed automatically. It may be set to any value ranging from 1 to 5. As you turn the thermostat setting knob from 1 to 5, the temperature decreases. To save energy in winter months, operate your refrigerator in a lower position.

### Fridge compartment thermostat knob;

- 4 - 5 : For further cooling.
- 2 - 3 : For normal use.
- 1 : For less cooling.



## Warnings about Temperature Adjustments

- It is not recommended that you operate your fridge in environments colder than 10°C in terms of its efficiency.
- Temperature adjustments should be made according to the frequency of doors openings and the quantity of food kept inside the fridge-freezer.
- Your fridge-freezer should be operated up to 24 hours according to the ambient temperature without interruption after being plugged in to be completely cooled. Do not open doors of your fridge-freezer frequently and do not place much food inside it in this period.
- During power cut, to prevent any compressor problem you should unplug the fridge-freezer. You should delay plugging in 5 – 10 minutes after your power supply returns. If you plug out the fridge-freezer for a reason you should wait at least 5 min to replug. It is important for avoiding damage to fridge-freezer's components.
- Your fridge-freezer is designed to operate in the ambient temperature intervals according to the climate class stated on the information label. In terms of cooling effectiveness, we do not recommend operating your fridge-freezer outside of the stated temperature values.
- This equipment is designed for use at an ambient temperature within the 10°C - 43°C range.

Climate class	Ambient temperature °C
<b>T</b>	Between 16 - 43 °C
<b>ST</b>	Between 16 - 38 °C
<b>N</b>	Between 16 - 32 °C
<b>SN</b>	Between 10 - 32 °C

**1.** Hold the top hinge cover and remove it toward that direction (Pic-1)



**Picture-1**

**2.** Unscrew the screws fixing the top hinge and remove it. (Pic-2)



**Picture-2**

**3.** Displace the top door (Pic-3)



**Picture-3**

**4.** Unscrew the two screws fixing the middle hinge and remove it. (Pic-4)



**Picture-4**

<b>VESTEL</b> WHITE GOODS	<b>374 MECHANIC</b>	<b>CUSTOMER SUPPORT</b>
	Reversing the door	

5. Displace the bottom door. (Pic-5)



**Picture-5**

6. Unscrew the adjustable foot (Pic-6)



**Picture-6**

7. Unscrew the bottom hinge screws. (Pic-7)



**Picture-7**

<b>VESTEL</b> WHITE GOODS	<b>374 MECHANIC</b>	<b>CUSTOMER          SUPPORT</b>
	<b>Reversing the door</b>	

8. Unscrew the bottom hinge pin and screw it to other hole. (Pic-8)

9. Screw the bottom hinge to the left bottom side of refrigerator. Screw the adjustable foot there. (Pic-9)



Picture-8



Picture-9

10. Unscrew the two screws fixing stopper and stopper support plate under the cooler door. After that screw the other side. (Pic-10)



Picture-10

<b>VESTEL</b> WHITE GOODS	<b>374 MECHANIC</b>	<b>CUSTOMER SUPPORT</b>
	<b>Reversing the door</b>	

**11.** Replace the top bushing and the top bushing cap at the bottom door. (Pic-11)



**Picture-11**

**12.** Remove the support plastic and then metal stopper placed under the upper door. (Picture-12.2) Then re screw these parts to the other side symmetrically. (remember the screw for the metal part must be screwed to the hole which is closer to the bushing). Do not use cordless screwdriver for these screws.



**Picture-12.1**



**Picture-12.2**

**13.** Remove the hinge cover on the top panel and replace to other side.(Pic-13)



**Picture-13**



**14.** Remove the middle hinge cover and then screw the screw on the side panel (Pic-14.1) and assemble to the right side panel (Pic-14.2)



**Picture-14.1**



**Picture-14.2**

**15.** Place the bottom door (Pic-15.1) and rotate the middle hinge by 180°. After that, screw to the right side on the middle sheet. (Pic-15.2)



**Picture-15.1**



**Picture-15.2**

**16.** Place the top door to the middle hinge and screw the top hinge to the top panel. (Pic-16)



**Picture-16**

**17.** Place the top hinge cover. (Pic-17)



**Picture-17**

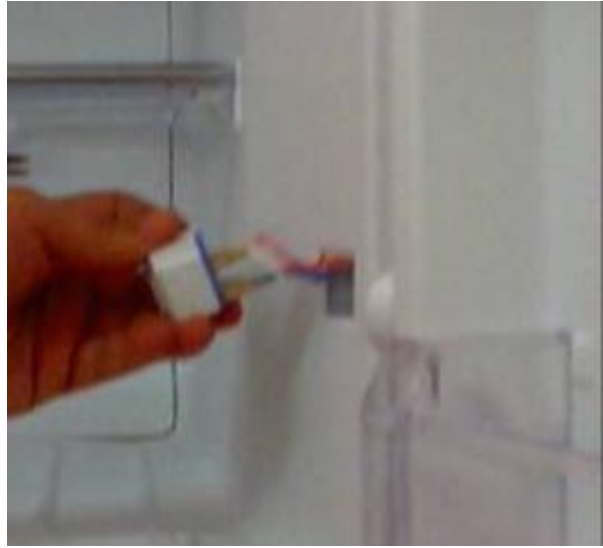
## Replacement of Door Switch

1. Insert a screwdriver into the gap and pull the door switch.



**Picture-1**

2. Disconnect the connectors. And remove the door switch.



**Picture-2**



<b>VESTEL</b> WHITE GOODS	<b>374 MECHANIC</b>	<b>CUSTOMER SUPPORT</b>
	<b>ASSEMBLE &amp; DISASSEMBLE</b>	

## Replacement Turbo Fan Motor (Optional)

1. Remove the fan motor cover. (Pic-1)



**Picture-1**



**Picture-2**

3. Take out the sockets and replace the fan motor (Pic-3)



**Picture-3**

## Replacing the Refrigerator Lamp

1. Unplug the unit from the power supply,
2. Remove the refrigerator light cover (A) by pressing the hooks placed both sides of the cover.
3. Change the present light bulb (B) with a new one (not more than 15 W).
4. Place the light cover in its place and plug the unit.

