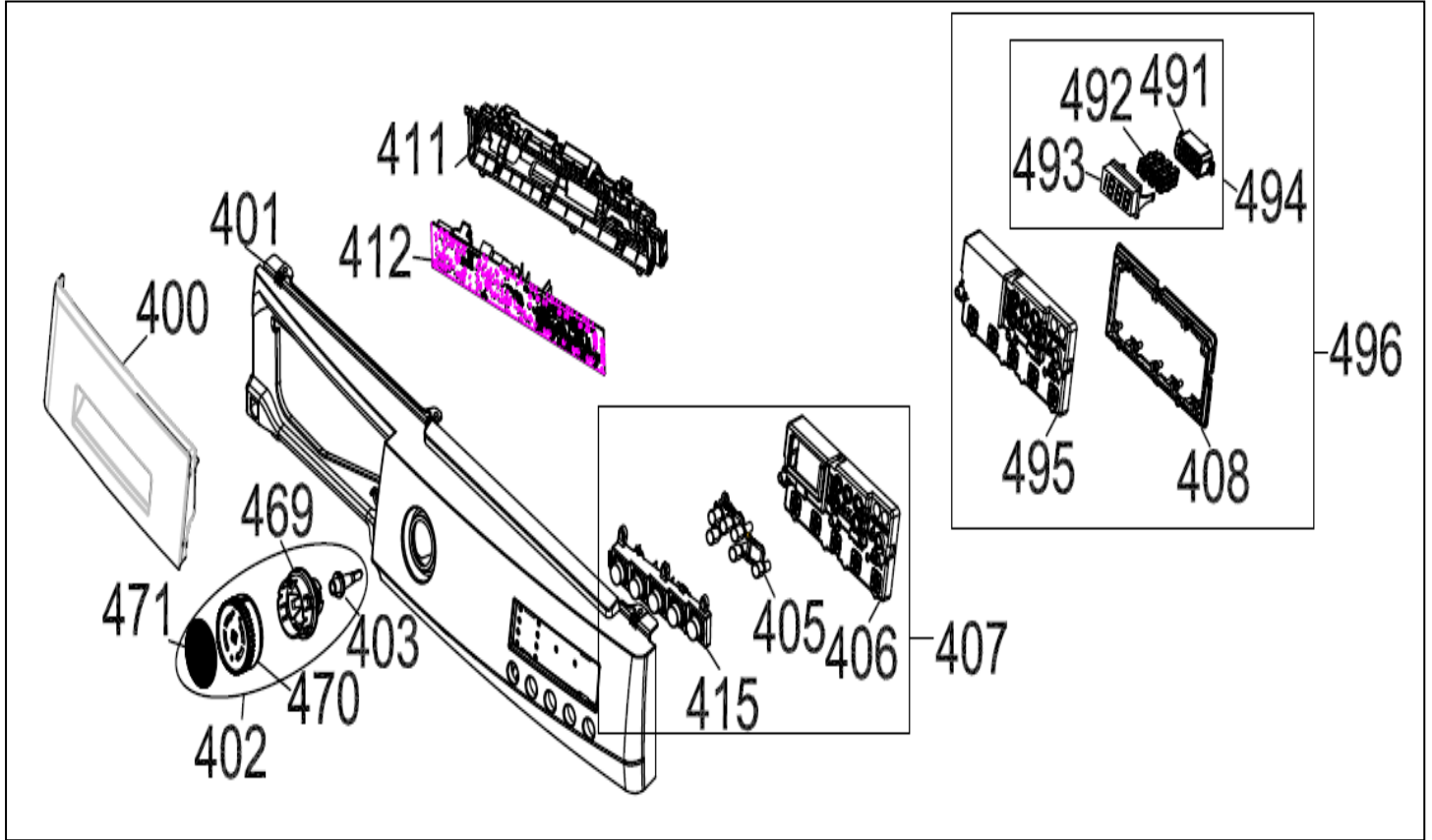
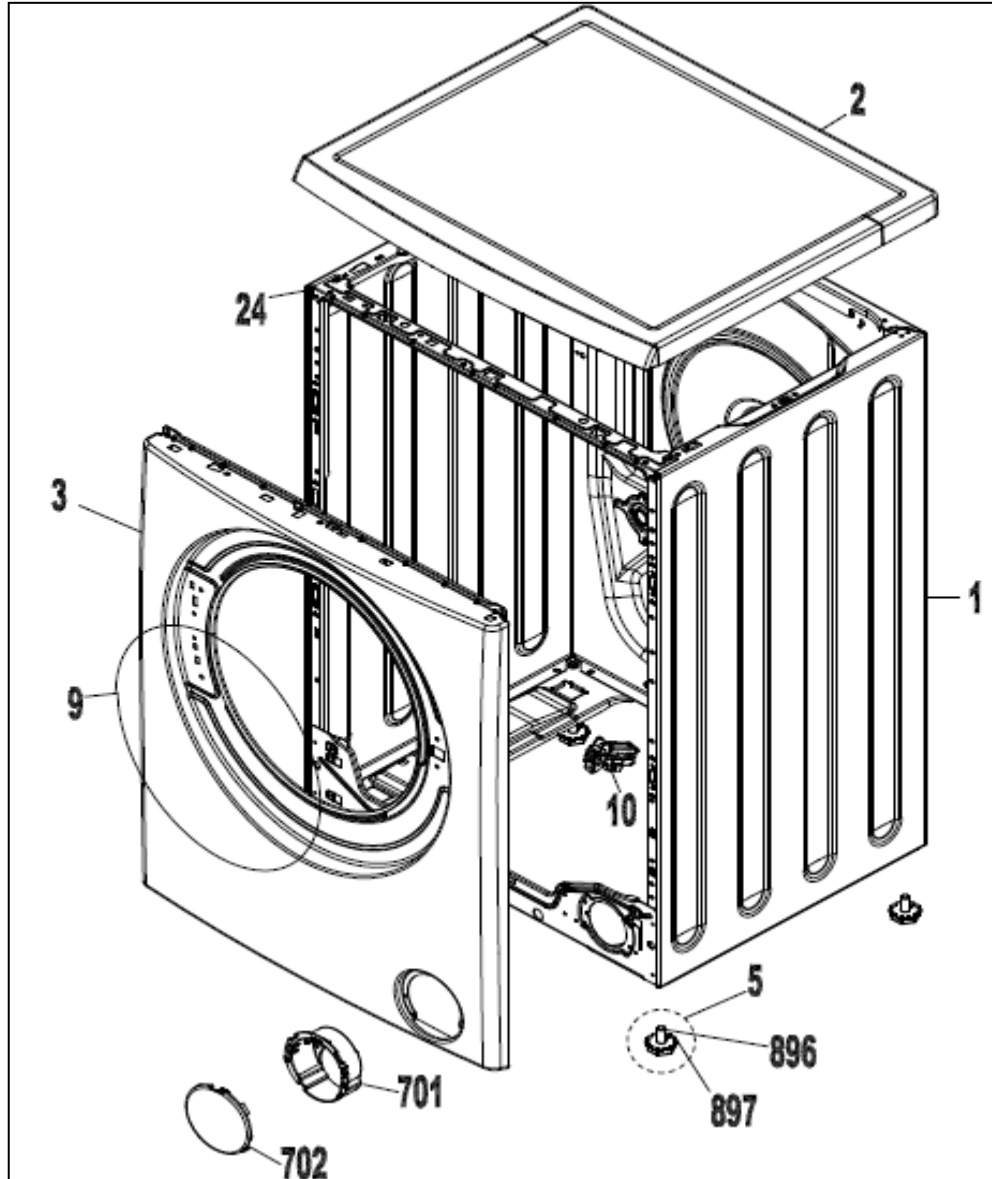


CONTROL PANEL PARTS



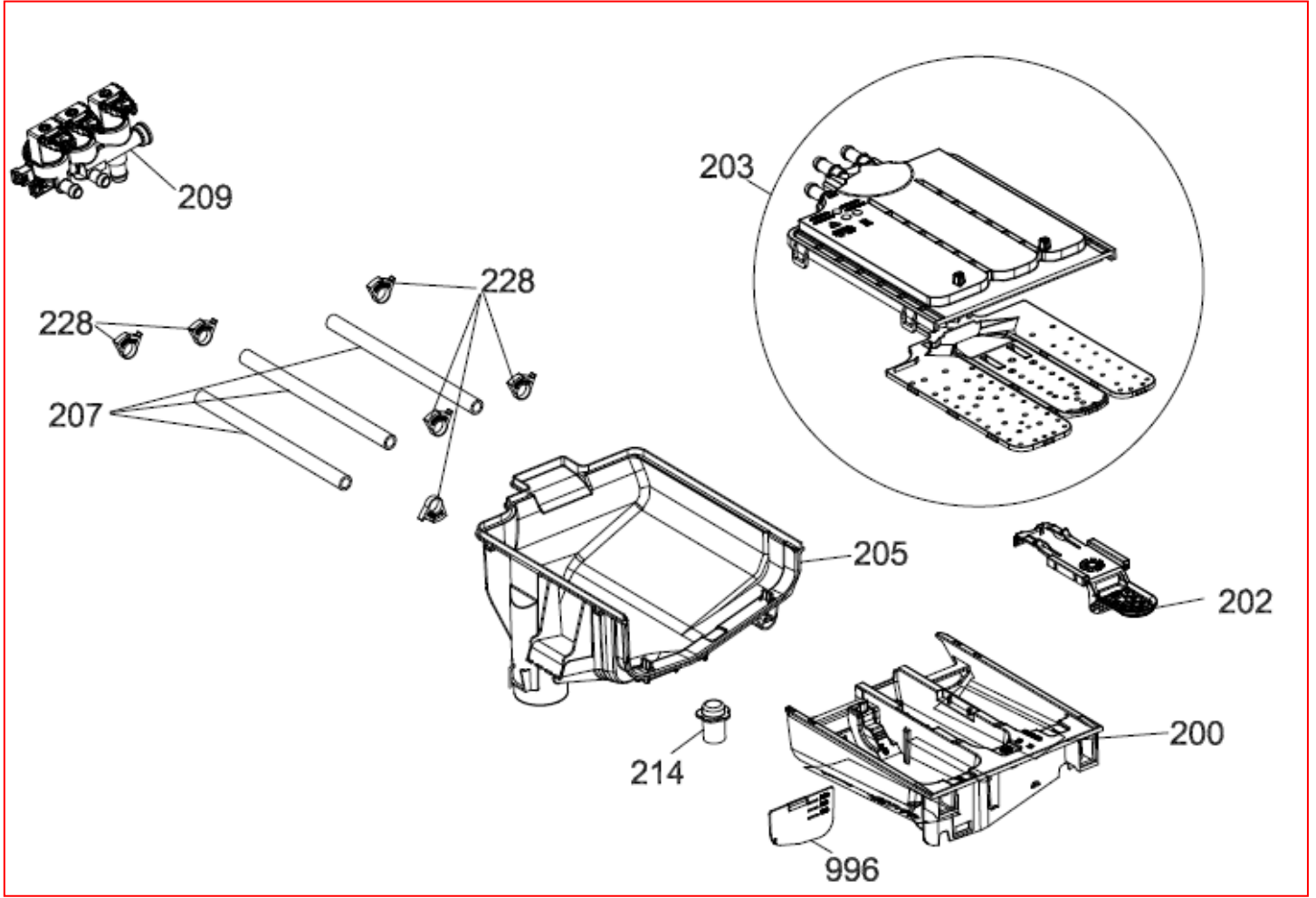
NO	PART NAME	QUANTITY
400	DETERGENT DRAWER COVER	1
401	CONTROL PANEL	1
402	PR. ADJUSTMENT KNOB GR (470+471)	1
403	PROGRAMME ADJUSTMENT SHAFT	1
405	LIGHT GUIDE	1
406	BUTTON&LIGHTGUIDE BOX	1
407	F2 BUTTON-LIGHT GUIDE GROUP	1
411	PCB BOX	1
412	ELECTRONIC CARD-W.FOIL	1
415	TRIPLE SELECTION BUTTON	1
469	PROGRAM ADJ. INSERT	1
470	PROGRAM ADJ. KNOB	1
471	PROGRAM ADJ. KNOB COVER	1
483	DETERGENT DRAWER COVER INSERT	1
484	DISPLAY	1
500	CONTROL PANEL GROUP (indicated for the website)	1

FRONT PANEL PARTS



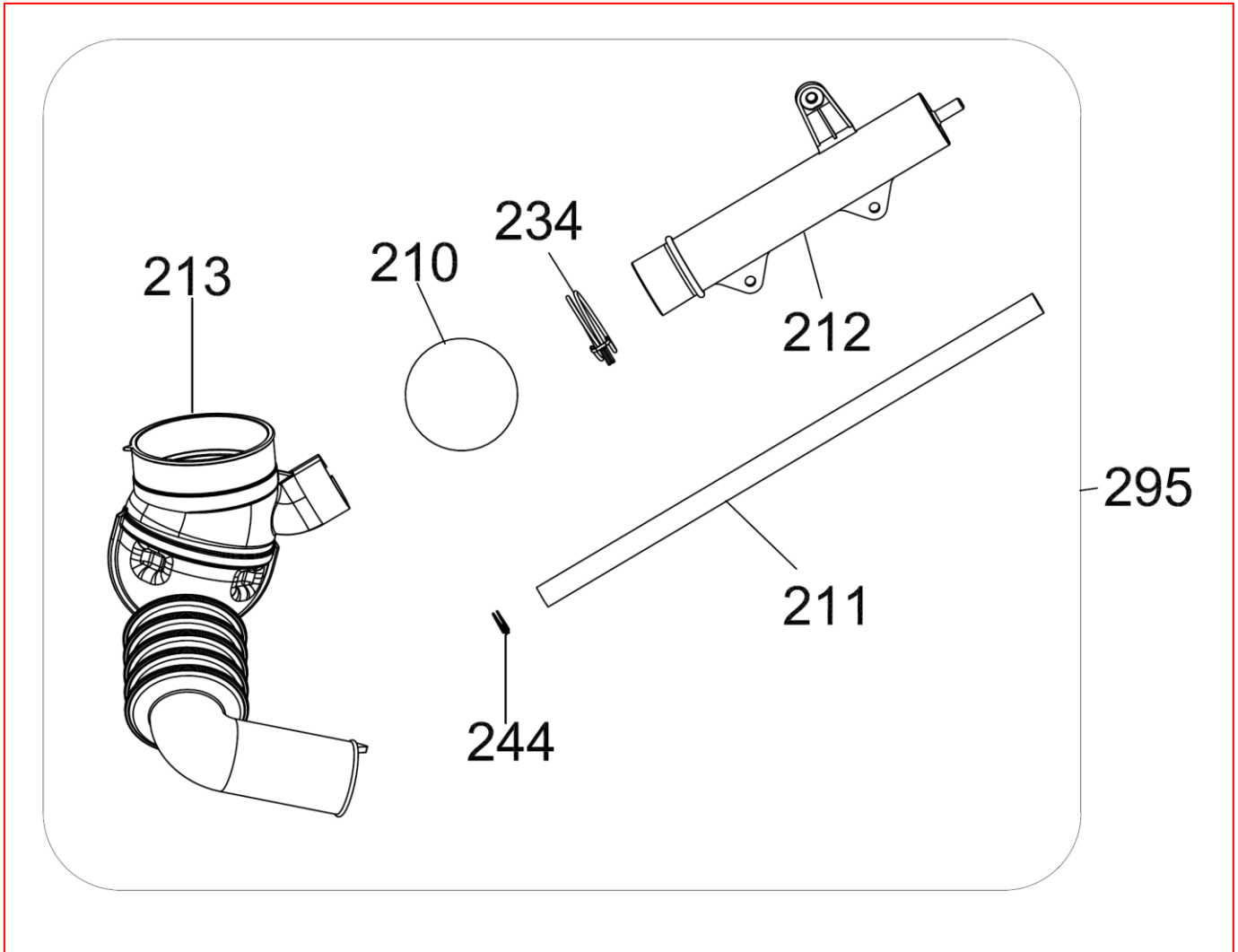
NO	PART NAME	QUANTITY
1	BODY GROUP PAINTED	1
2	UPPER TRAY GROUP	1
3	FRONT PANEL GROUP	1
4	PLINTH GROUP (includes 22+23)	1
5	ADJUSTABLE FEET	4
9	BODY-GASKET CLAMP	1
10	DOOR LOCK	1
24	UPPER SUPPORT BRAKET	1
701	PUMP COVER HOUSING	1
702	PUMP COVER	1
896	SCREW M10*30	4
897	ADJUSTED FOOT ADJUST STAMP PLS.	4

DETERGENT DRAWER GROUP



NO	PART NAME	QUANTITY
200	DETERGENT DRAWER	1
202	SIPHON COVER	1
203	WATER DISTRIBUTION PLATE GROUP	1
205	DETERGENT DRAWER HOUSING	1
207	VALVE-DETERGENT BOX HOSE	1
209	VALVE(TWO EXIT)	1
214	DETERGENT DRAWER LOCKING PART	1
228	PLASTIC HOSE CLAMP	6
996	LIQUID DETERGENT LEVEL PLATE	1

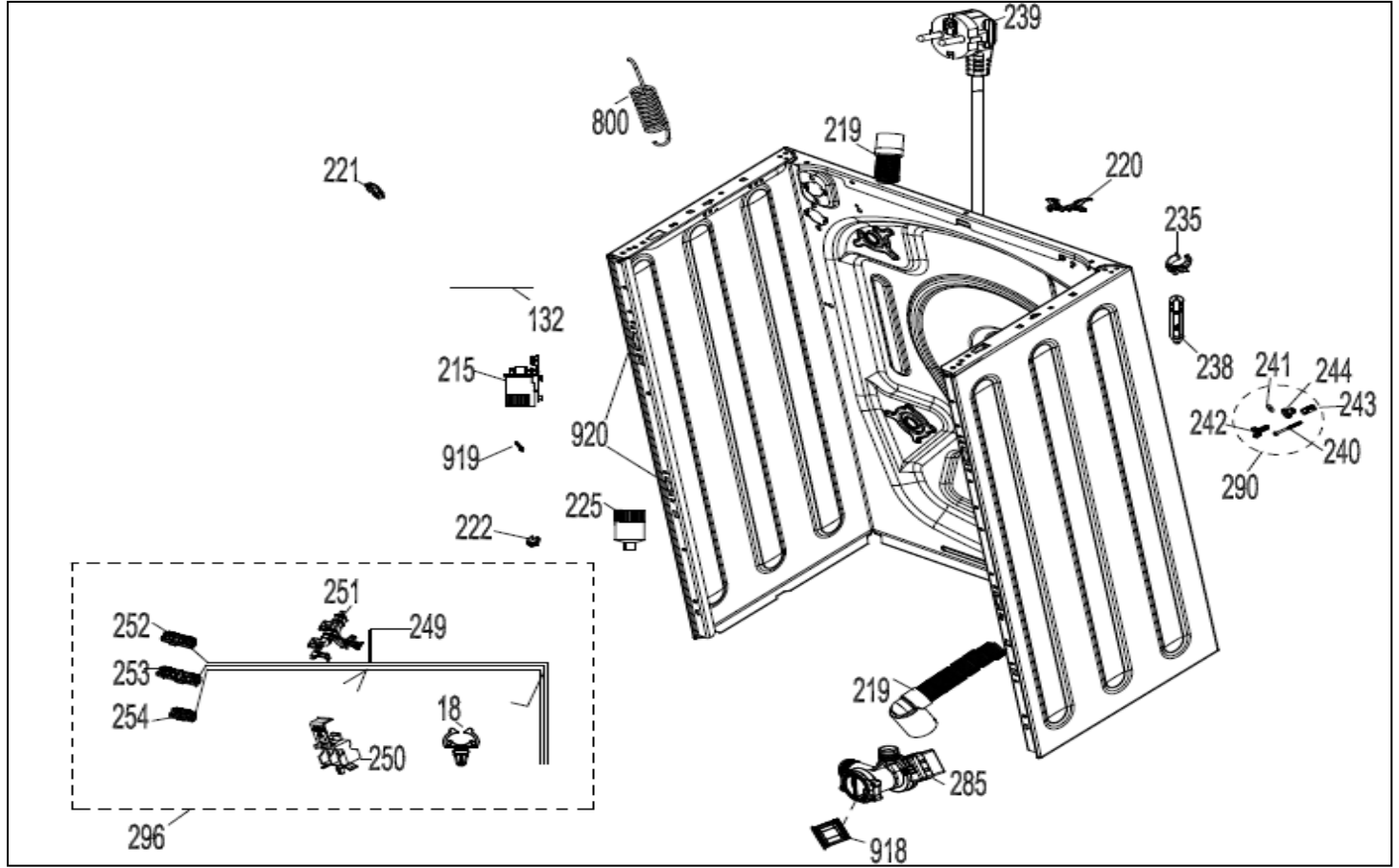
PRESSURE SWITCH HOSE GROUP



NO	PART NAME	QUANTITY
210	TUB EXIT BELLOW HOSE BALL	1
213	TUB EXIT WITH BELLOW HOSE	1
212	PRESSURE SWITCH WATER RESERVOIR	1
211	PRESSURE SWITCH HOSE	1
234	HOSE CLAMP Ø32,7	1
244	HOSE CLAMP Ø9,6	1
295	PRESSURE SWITCH HOSE GROUP	1

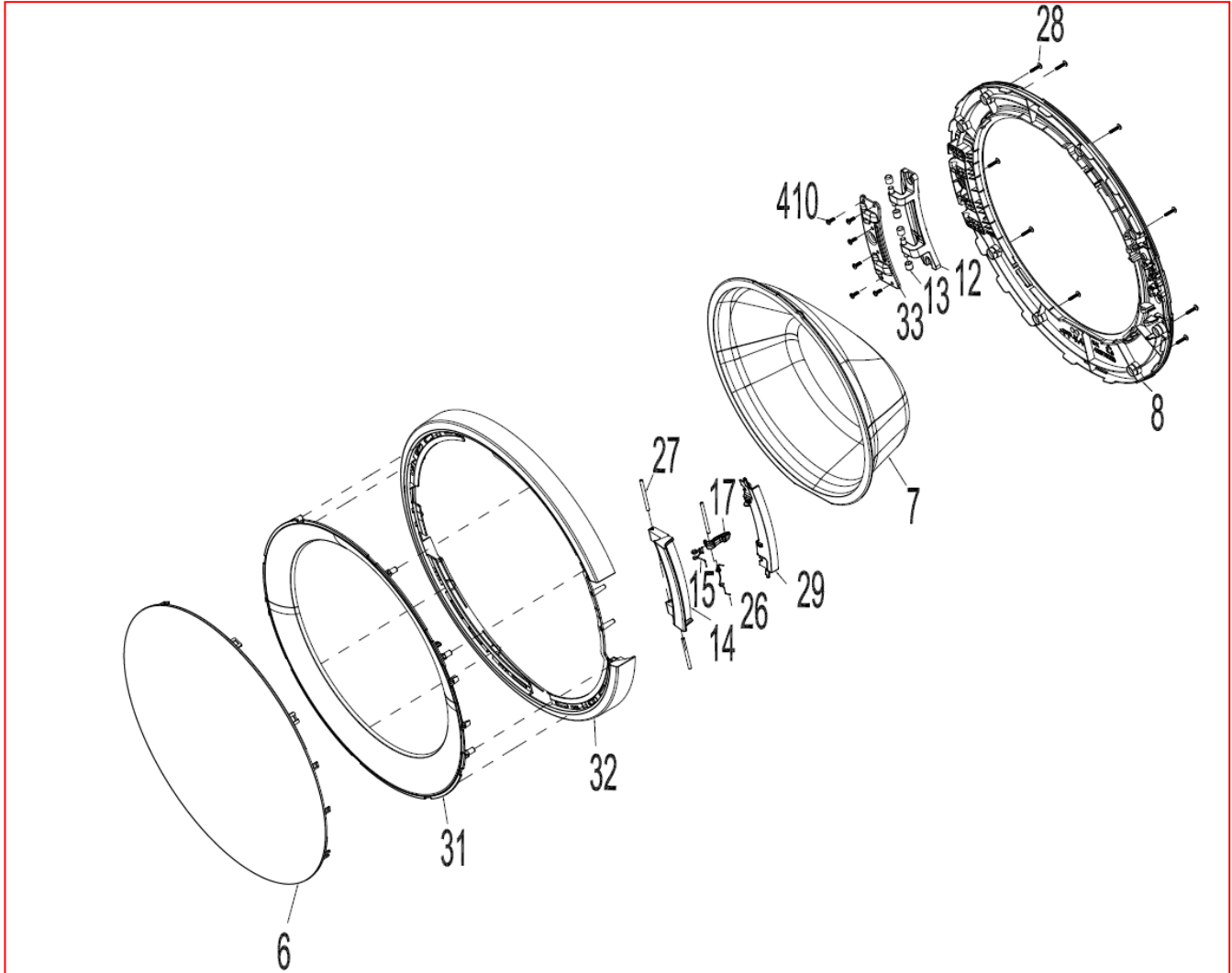
213-212-211-234-244----- PRESSURE SWITCH HOSE GROUP

BODY GROUP PARTS



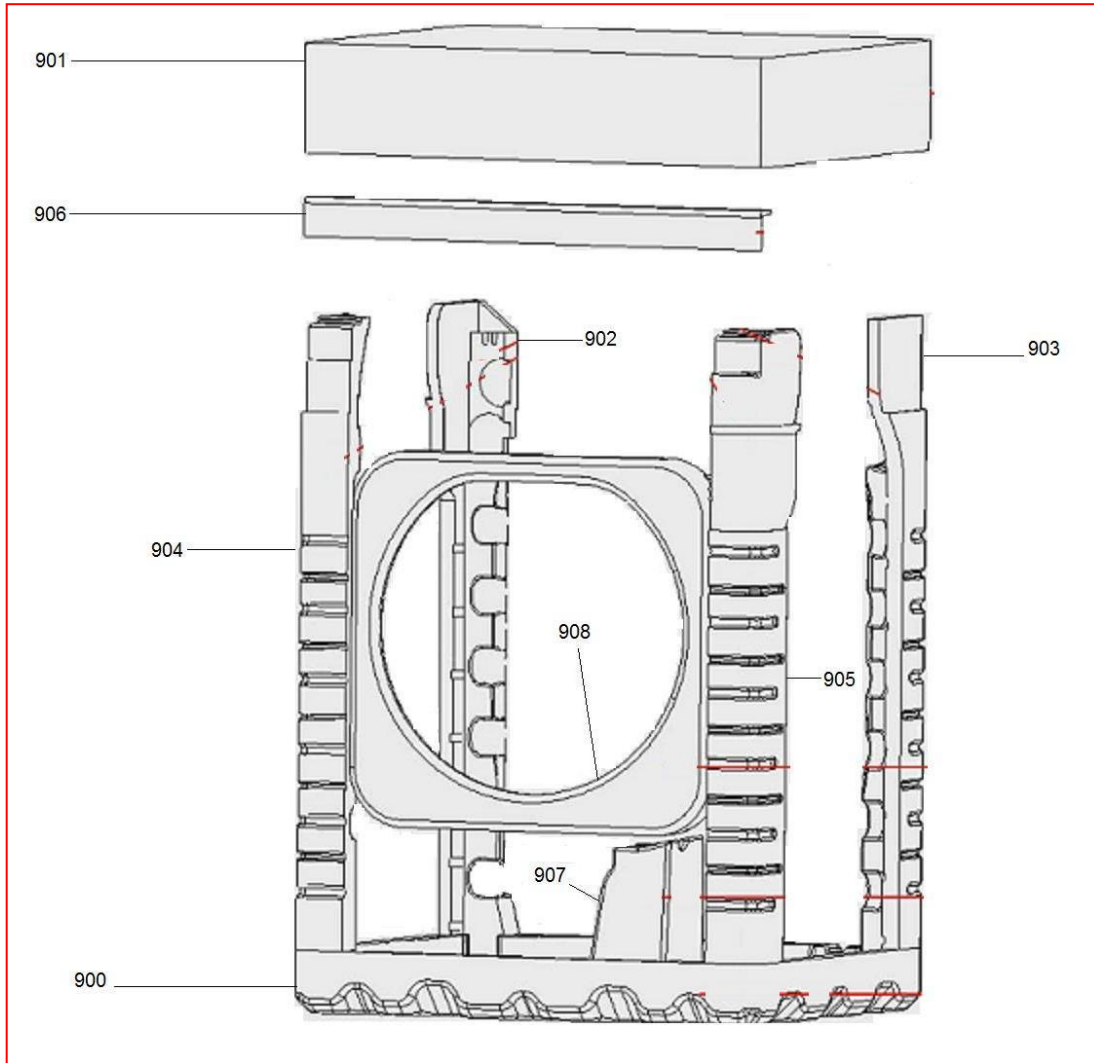
NO	PART NAME	QUANTITY
132	CABLE TIE(YKB150)	7
215	PARASITE FILTER	1
219	DRAIN HOSE	1
220	DRAIN HOSE ROUTER PLASTIC	1
221	HANGER SPRING SHEETIRON PLS.	2
222	PRESSURE SWITCH MOUNTING CLIP	1
225	PRESSURE SWITCH	1
235	DRAIN HOSE HOLDING PLS	2
238	SPEED CONTROL HOLE STOPPER	1
239	POWER CORD GROUP	1
240	TRANSPORT SCREW	4
241	WASHER 8,6*36*2	4
242	TRANSPORT SCREW PLASTIC A	4
243	TRANSPORT SCREW PLASTIC B	4
249	CABLE HARNESS	1
250	CABLE HARNESS HOLDER PLS	1
251	CABLE HOLDER AND ROUTER PLASTIC-L	1
252	PCB BOX SOCKET HOLDER-S1	1
253	PCB BOX SOCKET HOLDER-S2	1
254	PCB BOX SOCKET HOLDER-S3	1
285	PUMP GROUP	1
290	TRANSPORT SCREW GROUP	4
296	CABLE GROUP	1
800	TUB SPRING	2
919	HOSE CLAMP Ø8,6	1
920	FRONT PANEL DROP FIXING PLASTIC	2

DOOR GROUP



NO	PART NAME	QUANTITY
6	FRONT DOOR COVER	1
7	DOOR GLASS	1
8	INNER DOOR PLASTIC	1
12	HINGE	1
13	HINGE BUSH	4
14	DOOR HANDLE	1
15	HOOK SPRING	1
26	HANDLE SPRING	1
27	HANDLE PIN	3
28	SCREW 3,5X16 PAN HEAD WITH COLLAR UNDER HEAD SERRATED	9
29	OUTER DOOR PLASTIC INSERT PART	1
31	OUTER DOOR PLASTIC INNER FRAME	1
32	OUTER DOOR PLASTIC	1
33	DOOR HINGE SUPPORT SHEET	1
410	SCREW 4X12 PAN HEAD WITH COLLAR UNDER HEAD SERRATED	6
50	PORTHOLE GROUP (all parts)	1

PACKAGING GROUP



NO	PART NAME	QUANTITY
900	BOTTOM STYROFOAM	2
901	TOP CARTON	1
902	REAR STYROFOAM(LEFT)	1
903	REAR STYROFOAM(RIGHT)	1
904	FRONT STYROFOAM LEFT	1
905	FRONT STYROFOAM RIGHT	1
906	CORNER CARDBOARD	1
907	TUB SUPPORT STYROFOAM	1
908	PORTHOLE PRO. STYROFOAM	1

ACCESSORIES



995

996

997

998

NO	PART NAME	QUANTITY
995	ENERGY LABEL	1
996	LIQUID DETERGENT LEVEL PLATE	1
997	DRAIN HOSE COAT RACK	1
998	TRANSPORT SCREW STOPPER	4