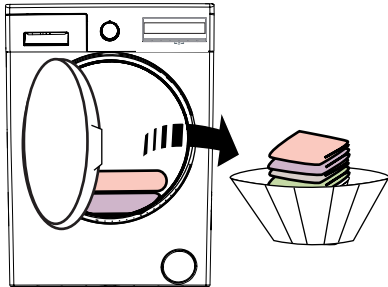


6 Operating Your Machine



By pressing on Start/Pause button, you may start the programme you have selected, suspend a running programme.

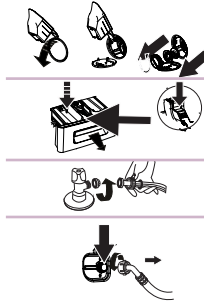
7 Removing Laundry



- After a program is completed, the washing machine will turn off automatically.
- “END” will appear on the display.
- Open the washing machine door and take the laundry out.

8 Mantenimiento

- 1- It is recommended that you clean your pump filter once in 2 months.
- 2- It is recommended that you clean your detergent drawer once in 2 months.
- 3- It is recommended that you clean your the filters on water inlet valves once in 2 months.
- 4- Clean the filter every 2 months at the end of the valves.

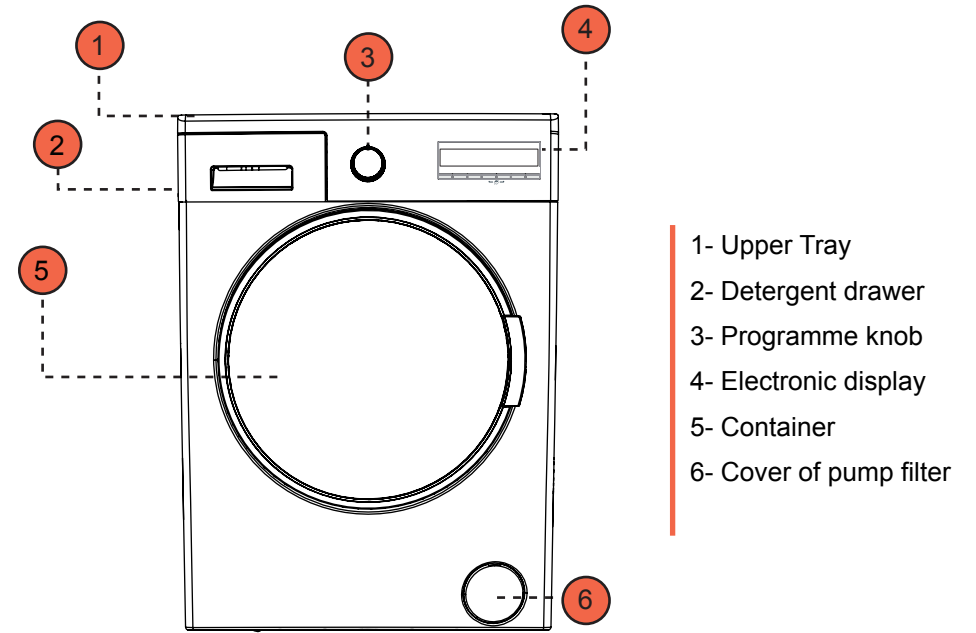


If the spinning operation is not performed or runs late, it means, the unbalance load control system has been activated. Unbalance load control system will try to spread your laundries homogeneously. Spinning operation will start after spreading your laundries.

52134571

QUICK USER MANUAL

DESCRIPTION OF THE MACHINE



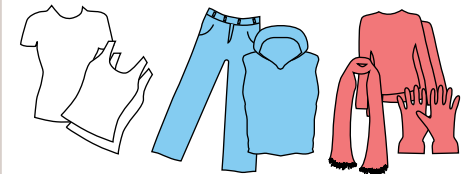
- 1- Upper Tray
- 2- Detergent drawer
- 3- Programme knob
- 4- Electronic display
- 5- Container
- 6- Cover of pump filter

WASHING


- Connect the washing machine to a power socket.
- Open the water tap.

1 Separating Laundries

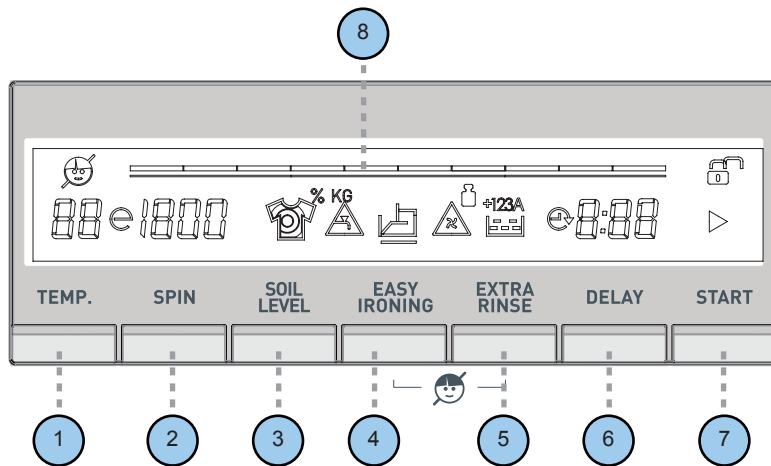
Separate your laundries according to their types (cotton, synthetic, sensitive, woollen, etc.), their temperatures (cold, 30°, 40°, 60°, 90°) and degree of contamination (slightly stained, stained, highly stained).



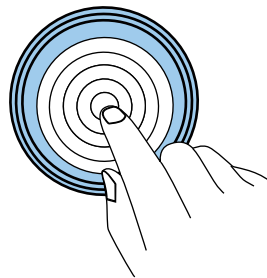
5 Electronic Display (*)

In the electronic display, you can see the washing water temperature of your machine, the wringing rpm, how long the machine has to finish washing, whether the door of your machine is locked or not, the auxiliary functions you have selected and the location of the programme you are running in your machine () among the washing sequence

Furthermore, electronic display will warn you by means of fault symbols on the display when a fault occurs on your machine and notify you of the completion of the washing programme by revealing expression of "END" on the display as soon as the washing programme you have selected has finished as well.

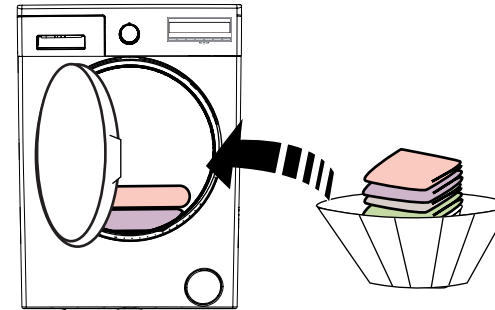


- 1- Water Temperature Adjustment Button
- 2- Rpm speed adjustment button
- 3- Dirtiness Level selection
- 4- Auxiliary function (Easy ironing, Pre-wash)
- 5- Extra Rinsing Auxiliary Function
- 6- Delay Timer
- 7- Start/Standby button
- 8- Digital Display



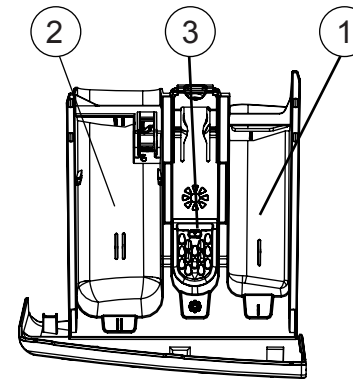
(*) Wash programs vary depending on the model of your machine.

2 Placing Laundry Into The Washing Machine



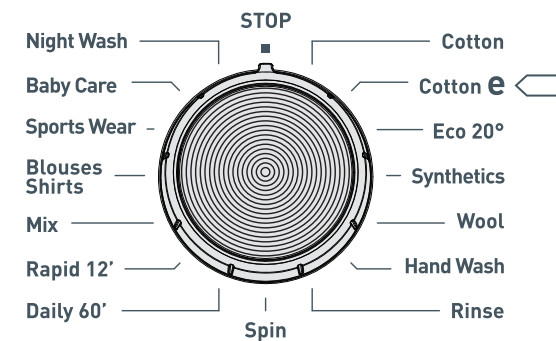
- Open the door of your machine.
- Spread your laundries in your machine.

3 Putting Detergent Into The Washing Machine



- 1- Pre- washing compartment
- 2- Main washing compartment
- 3- Softener compartment

4 Selecting Of Programme (*)



- You can select the programme you want to wash your laundry in through programme knob.
- You may set the programme selection operation by rotating the programme knob in both directions.
- Ensure that the programme knob is exactly on the programme you want to select.

(*) Auxiliary functions vary depending on the model of your machine.