

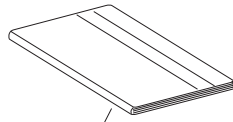
999016228

SHRINK PACKING FREE-STANDING

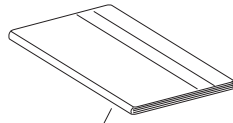
14/09/2006

Z290

Z310



Z330
INSTRUCTIONS
FOR USE

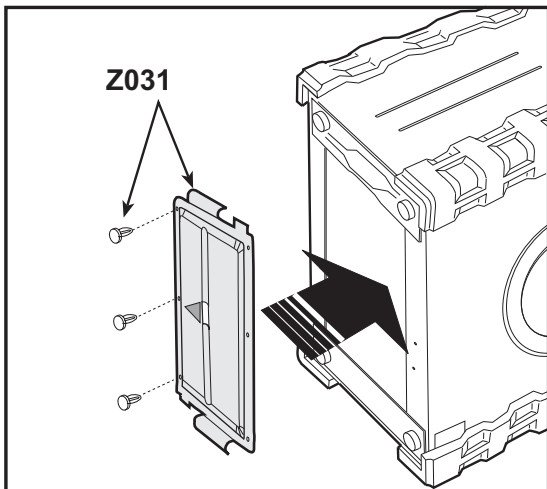


Z025
TECHNICAL DATAS
BOOKLET

Z300

Z024

Z280



**Used only for Washing Machines
33 and 39 cm depth**

